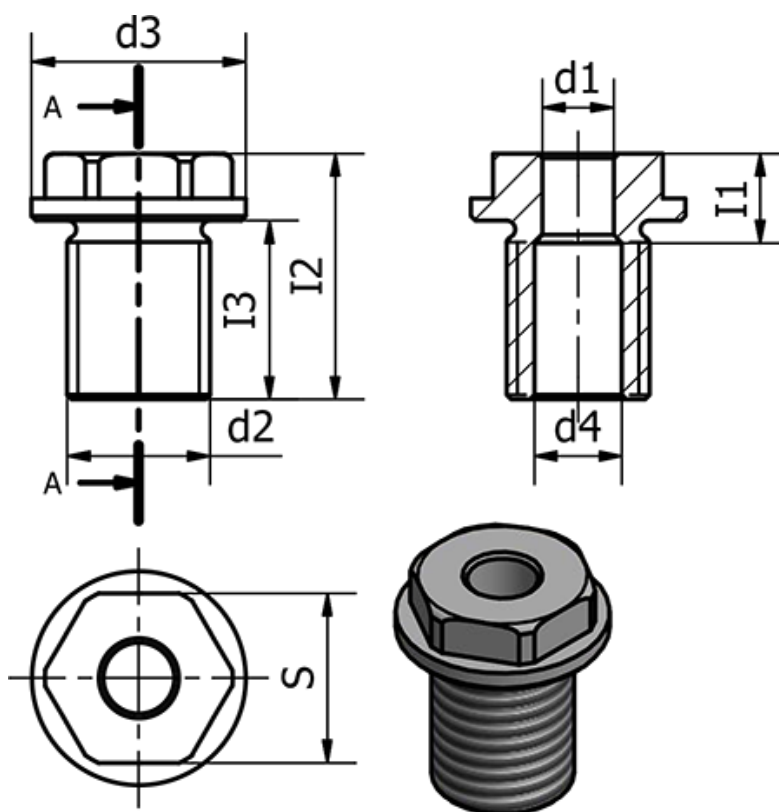


Article number: 2011321215M24x15A

Description: E+G Holding bushes for lifting pins,  
GN 1132-12-15-M24x1.5-A

## Measures



d1 = 12  
d2 = M24 x 1,5  
d3 = 32  
d4 = 14.7  
I1 = 15  
I2 = 35.5  
I3 = 24  
s = 27

Tightening torque in Nm = 220